

ADVANCED HIGH CEILING

Whiz Series - Standard



High lumen compact luminaire with lumen output 8316 – 33475lm. Additional features include IP65 and outdoor/natorium rating.

- Outdoor/Natorium Rating
(Please refer to Outdoor/Natorium Version spec sheet)

Special coating, sealant, and wiring is applied for long term operation in harsh environments.



Quantity	Type
Project	Note

Electrical System

- 9975lm (90W)
- 14280lm (130W)
- 28737lm (240W)
- 33475lm (300W)
- Power Input: Universal (120-277V); 347-480V
- Operating Temperature: -40°F~112°F
- Surge Protection: 10KV
- Remote Emergency Pack (Bodine BSL20W)
- *Emergency option is only available with standard 0-10V (STV).

LED Technology

- 3000K, 4000K , 5000K
- 75 CRI, 85 CRI, 93 CRI
- Beam Angle: 15°, 30°, 60°, 80° and 100° (with diffuser)
- Rated Life > 100,000 hours (L70)
- Lumen Maintenance > 0.90 at 60,000 hours

Advanced Dimming

(Proprietary VX Driver is incorporated to all dimming options for video flicker-free lighting)

- **Standard 0-10V:** dims to 10%
- **Superior 0-10V:** dims to 1%
- **DMX:** high resolution dims to 0.1%
- **ECOsysteM:** dims to 1% (UNV only)
- **DALI:** dims to 10%

Housing

- Diameter: 15.07" (383mm) x 14.17" (360mm)
- Height: WS-90 / WS-130: 3.54" (90mm)
WS-240 WS-300: 4.6" (117mm)
- Material: Die-Cast Aluminum, Tempered Glass
- Weight: 15.84lbs (With Power Supply / Standard 0-10V)

Mounting

- Surface Mount
- Stem 2ft, 4ft
- Adjustable Aircraft Cable 4ft, 8ft, 10ft
- Uplight Stem 2ft or 4ft

Warranty

- 5 years limited warranty.

Listing

- UL Damp Location Listed
- DLC Listed
- FCC
- CE



Not all Whiz Series are DLC qualified. For all qualified products. Please visit: www.designlights.org/qpl

Whiz Series - Standard



How To Specify:

Ordering Example: WS-240-507-UNV-STV-60-WHT-ST2

4-5 weeks lead time on over 75% of specifications.

Model	Wattage	CCT / CRI	Voltage	Dimming
WS				
WS Whiz Series	90 90W 130 130W 240 240W 300 300W	308 3000K / CRI85 408 4000K / CRI85 507 5000K / CRI75 309 3000K / CRI93	UNV 120-277V HVT 347-480V	NOD Non-Dimming STV¹ Standard 0-10V dims to 10% SPV¹ Superior 0-10V dims to 1% DMX¹ DMX dims to 0.1% (XLR Sockets) ECO^{1,2} LUTRON ECOSystem dims to 1% DALI^{1,2} DALI dims to 10%

¹ Option is not compatible with **OCC**
² Option is not compatible with **EMP**

Beam Angle	Finish	Mounting	Accessories
15 15° 30 30° 60 60° 80 80° WD* 100° (with diffuser)	BLK Black WHT White	SUM Surface Mount ST2 Stem 2ft ST4 Stem 4ft AD4 Adjustable Cable 4ft AD8 Adjustable Cable 8ft AD10 Adjustable Cable 10ft UP2* Uplight Stem 2ft UP4* Uplight Stem 4ft	OCC¹ Occupancy Sensor EMP² Remote Emergency Pack DF³ Diffuser WG⁴ Wire Guard

*Please factor in change in lumen output with diffuser (-20% with 100°).

*Option is not compatible with **DMX and OCC**. Stem length is required when placing order.

¹ Option is ONLY compatible with NOD, MUST order with Wire Guard.
² Option is ONLY compatible with **STV, SPV and DMX**.
³ Please factor in change in lumen output with diffuser (-20% with DF).
⁴ Please factor in change in lumen output of -14%.

DesignLights Consortium™ Qualified Luminaires:

DLC QPL Model Number : WS-130-57K, WS-240-50K, WS-300-50K
Not all product variations listed on this page are DLC qualified.
To ensure that a specific model is qualified, visit www.designlights.org/search.

Whiz Series - Standard



Delivered Lumens*

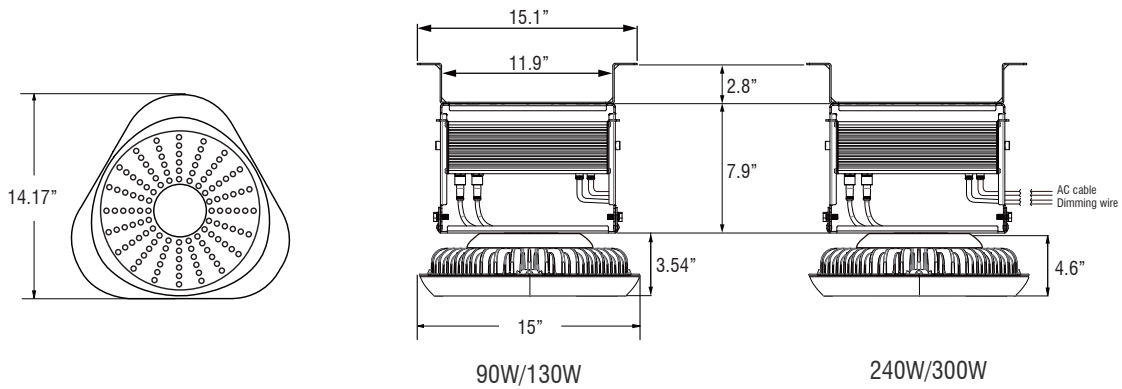
*Tolerance ±8%

Wattage	90W	130W	240W	300W
Beam Angle: 15°				
CCT				
5000K	9975 lm	14280 lm	28737 lm	33475 lm
4000K	8393 lm	12204 lm	24075 lm	28034 lm
3000K	8316 lm	12091 lm	22680 lm	26215 lm

Current Consumption

Wattage	Volt	
	120V	277V
90W	0.83A	0.36A
130W	1.19A	0.52A
240W	2.20A	0.95A
300W	2.75A	1.19A

Dimensions

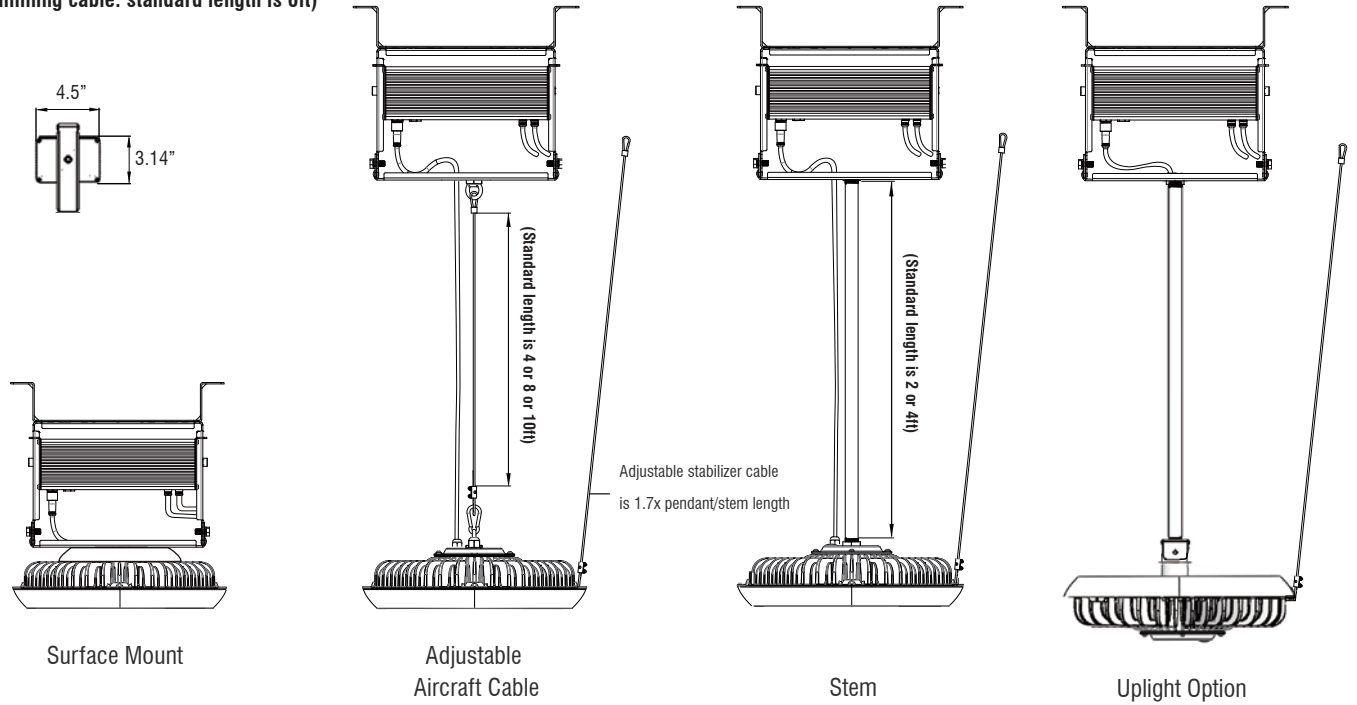


Whiz Series - Standard



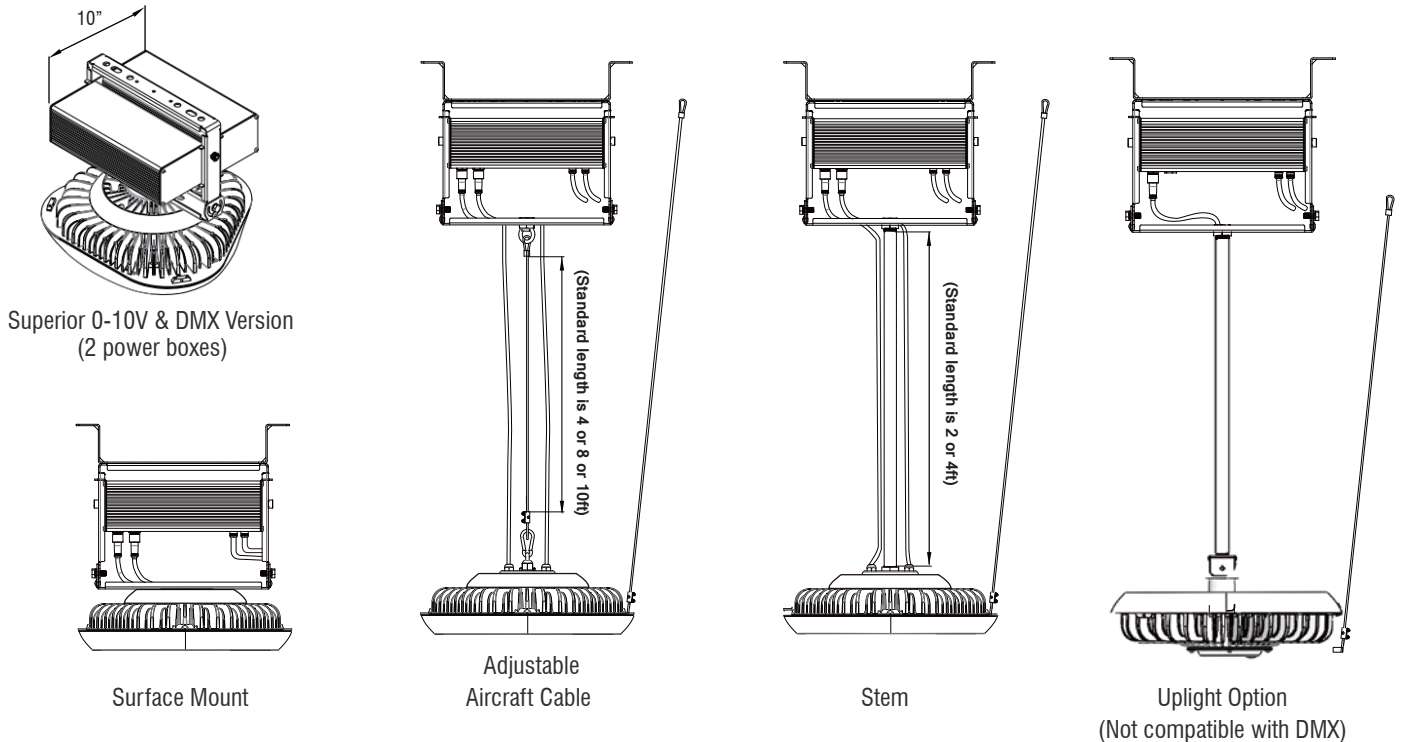
Mounting Options (STV with 1 Power box)

(AC / Dimming cable: standard length is 6ft)



Mounting Options - SPV, DMX, DALI, ECOsystem with 2 power boxes)

(AC / Dimming cable: standard length is 6ft)



Whiz Series - Standard



DMX Requirements*

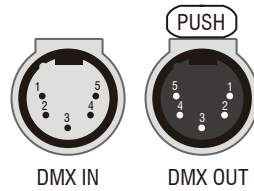
The Whiz LED fixture with DMX is a ONE CHANNEL DMX unit.

When placing order, please indicate DMX address. (The DMX address will be listed on the back of the fixture)

The LED fixture comes equipped with male and female 5-Pin XLR Receptacles. (DMX cable NOT included)



Power Box for Whiz Series

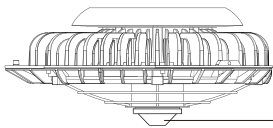


XLR Socket

CONNECTION	5-PIN XLR
Common	PIN 1
Signal -	PIN 2
Signal +	PIN 3
Spare	PIN 4
Spare	PIN 5

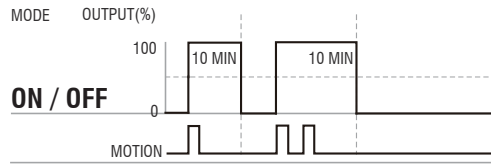
Occupancy Sensor

* Not available with any dimming option.



Occupancy Sensor

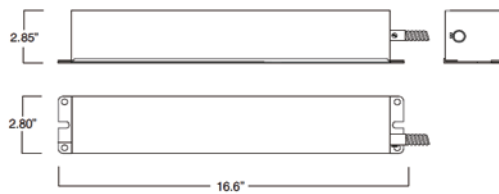
Occupancy Sensor Operation



Wire Guard



Remote Emergency Pack



Emergency Pack Lumen Output Table

CCT	3000K	4000K	5000K
Lumen	1800 lm	1850 lm	2200 lm

